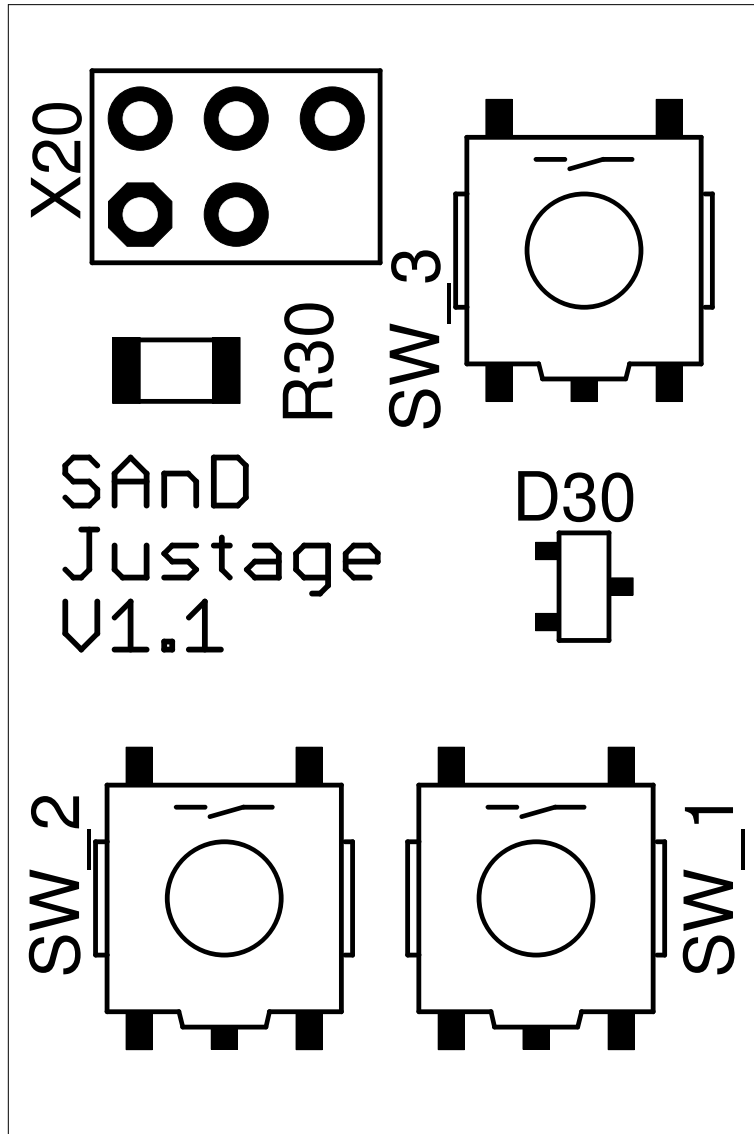


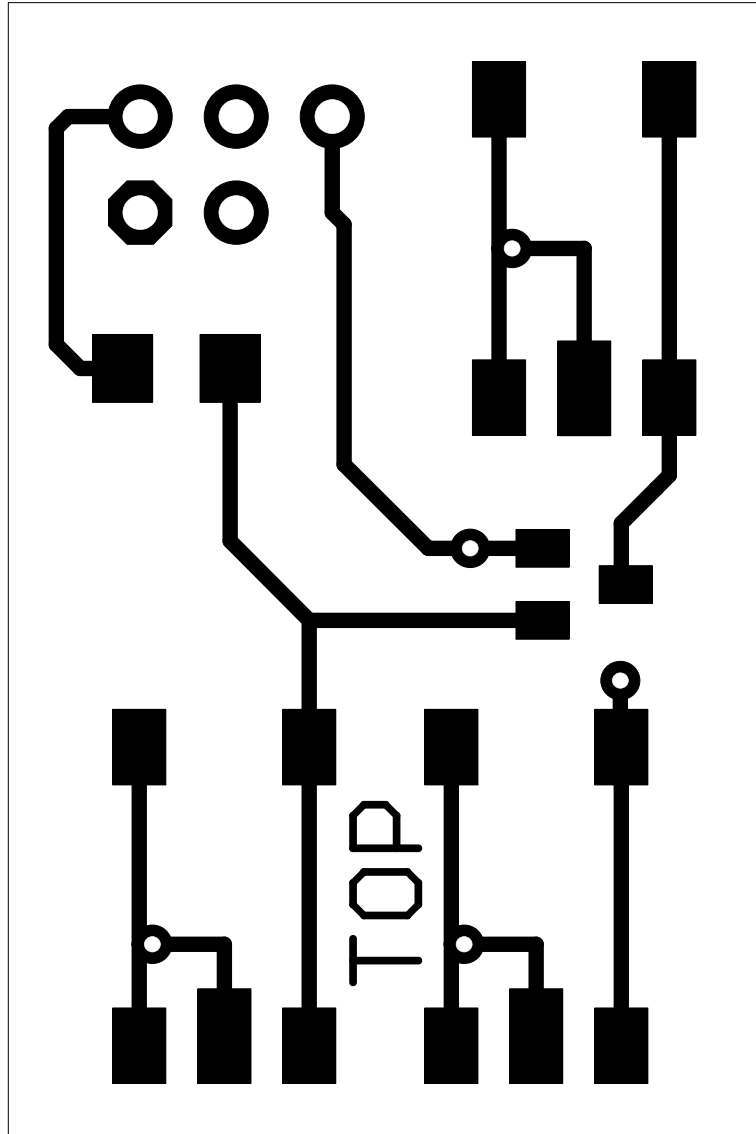
SAnD Justage (c) www.digital-bahn.de - Sven Brandt	
TITLE: sand_justage_110	
Document Number:	REV: 1.1
Date: 08.09.2010 23:20:12	Sheet: 1/1

20 mm x 30 mm



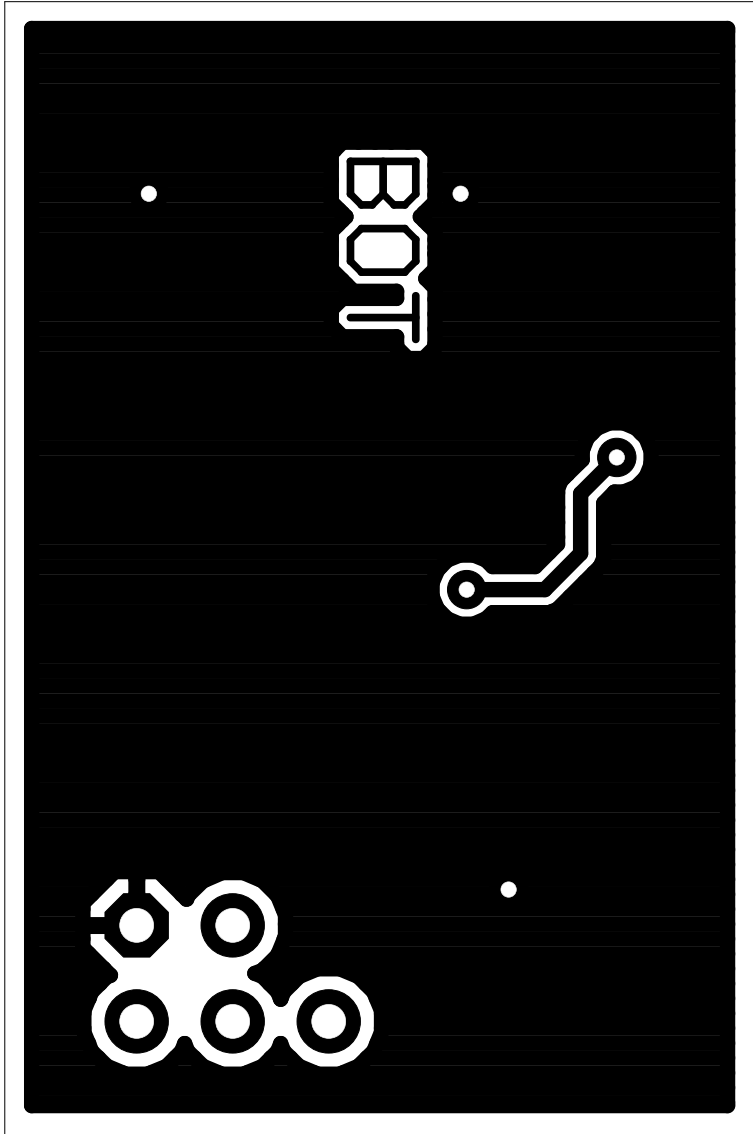
(c) www.digital-bahn.de - Sven Brandt

20 mm x 30 mm



(c) www.digital-bahn.de - Sven Brandt

(c) $\text{mm} \cdot \text{q}\ddot{\text{t}}\text{q}\ddot{\text{t}}\text{f}\text{a}\ddot{\text{J}}\text{-p}\text{a}\ddot{\text{r}}\text{u} \cdot \text{q}\text{e} - \text{z}\text{v}\text{e}\text{u} \text{B}\text{r}\text{a}\text{u}\text{d}\text{f}$



30 mm x 30 mm